

Information Brochure & Gallery



go to www.linearstars.com to see more actual photos



LED LIGHTING

IC / CIC / UC1 / UC2 - Spec Sheet

+ HIGH (accent) light-output. Approx. 25 lumens per LED with a clear lens. Colored lenses will slightly decrease lumen output.

+ Low energy consumption - just 4.5 Watts/foot

+ Output color: 2700 K, 3300 K, 3700 K, or 6100 K.
Dimmable with Linearstars power supply

+ Long life LEDs (over 50,000 hours = 34 years of light at four hours-per-day)

+ Durable and attractive aluminum finish. Other finish options include anodized finishes, like copper, charcoal, red, yellow, etc. (extra charges apply)

+ Easy installation. No lamps to install. Install with clips (included). Clips add 1/2" per side, or 1" to total length of fixture.

+ Uses six .5 Watt LEDs per eight-inch section

+ Over 18 different lengths to choose from, ranging from 4" to 70", at 4" increments.

+ Length in inches | Watts

4-1/8	1.5	27-3/8	10.5	50-5/8	19.5
8	3	31-1/4	12.0	54-1/2	21.0
11-7/8	4.5	35-1/8	13.5	58-3/8	22.5
15-3/4	6.0	39	15.0	62-1/4	24.0
19-5/8	7.5	42-7/8	16.5	66-1/8	25.5
23-1/2	9.0	46-3/4	18.0	70	27.0

+ Ordering Instructions

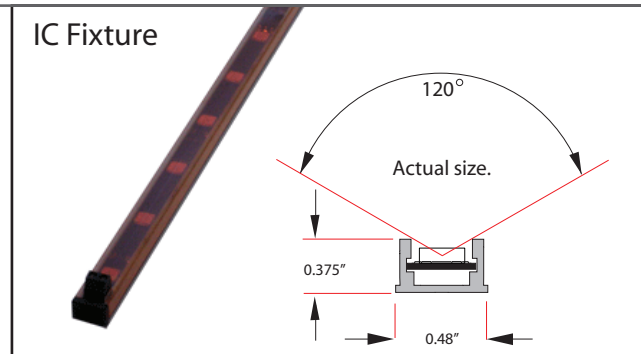
When ordering, please specify

1. Body Style. (ex. CIC)
2. Aluminum/Body length in inches. (ex. A4038 for 40-3/8" or, if aluminum is same length as light, enter A0)
3. Light length. Select from one of the above 18 options. (ex. L39")
4. Output color. Select from above options.
5. "M" for mitering. If mitering, please provide drawings.

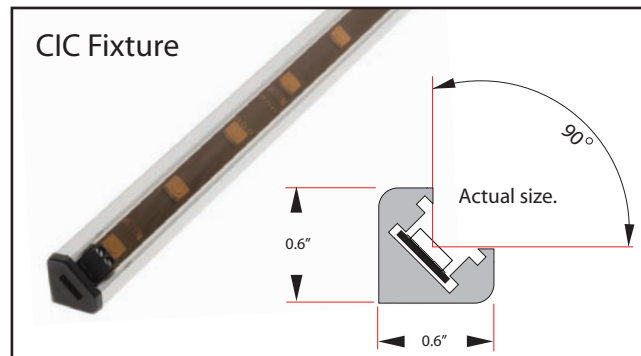
Example: CIC-A4038-L39-3700K

For more details, please see Ordering Instruction Sheet

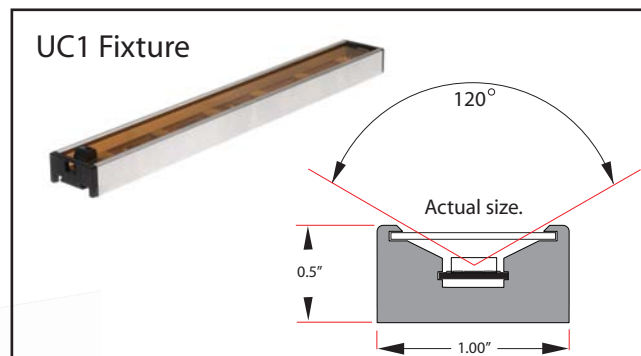
IC Fixture



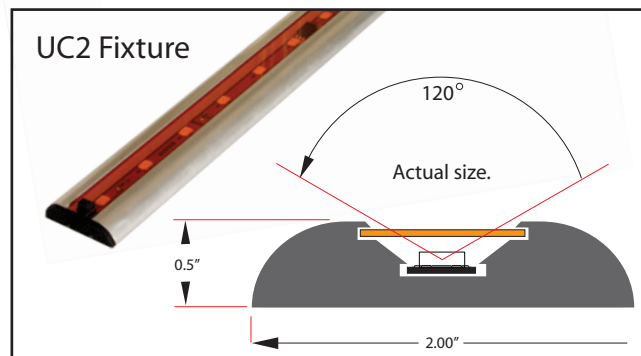
CIC Fixture



UC1 Fixture



UC2 Fixture



HOW TO ORDER

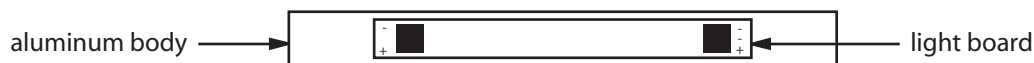
ORDERING INSTRUCTIONS

EX. ORDER

Body Style Alum. Length Light Length Color Output Body Color Mitering
CIC - A1812 - L1534 - 3300K - AL - NO

BODY STYLE: IC, CIC, UC1, UC2

ALUMINUM LENGTH: Can be any length up to 6 feet. If same length as light boards, please use same measurement from table below. If aluminum body is longer than the light length, please detail length in fractions, but without dashes or forward slashes, as seen above, where 1812 = 18 and 1/2 inches.



LIGHT LENGTH: use any of the measurements below (in inches), without dashes or forward slashes.

4-1/8	27-3/8	50-5/8
8	31-1/4	54-1/2
11-7/8	35-1/8	58-3/8
15-3/4	39	62-1/4
19-5/8	42-7/8	66-1/8
23-1/2	46-3/4	70

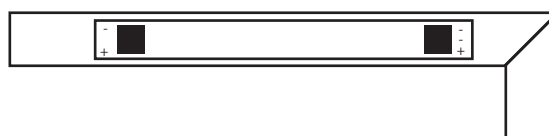
COLOR OUTPUT: (choose from below. Custom colors available on request. Color match also available.)

2400K	6100K	PINK	MTCH - match an existing light on the job
2700K	BLUE	GRN	CUST - custom color not listed
3000 - 3300K (standard)**	ORNG	** NOTE: 3000-3300K is standard and most popular.	
3700K	PRPL	RED	Other options cost additional.

BODY COLOR: Body color is applied via anodizing. Standard colors listed below. More available on request. AL is standard. All other colors will add to cost and time.

BK - BLACK	RD - RED	AL - regular aluminum
BN - BROWN	OR - ORANGE	CL - clear coat (already on CIC)
BL - BLUE	GR - GREEN	CM - custom color not listed

MITERING: YES or NO. If you choose mitering for corners, you must attach a drawing to the order.



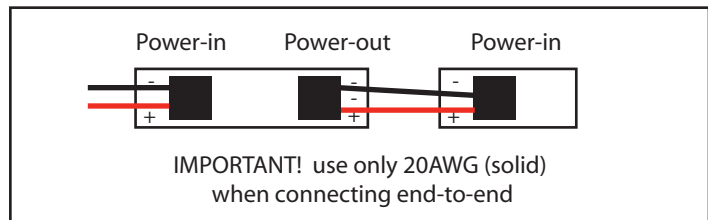
Wiring, Installation & Options

WIRING

- + Wiring: hard-wire fixtures with Class 2 wire (18 or 20 AWG). **IMPORTANT!** Use solid wire only.
- + Transformers: Use only approved 12V-DC regulated transformers.
- + Dimmable: Use only approved dimmers.
- + Limit 12' per run to transformer. (May have multiple runs per transformer, but recommend you don't exceed 80% of transformer capacity)

INSTALLATION

- + IC, CIC - install with industrial-strength, peel-back adhesive (included).
- + UC1, UC2 - Install with clips (included). Add 1" to overall fixture length. (1/2" to each end)
- + UC1, UC2 fixtures over 30" will also come with industrial-strength, peel-back adhesive (included).
- + To connect fixtures end-to-end (see illustration).

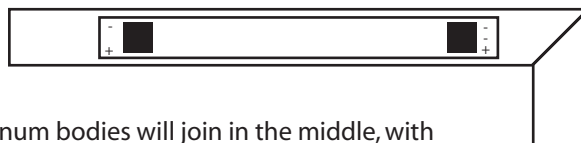


OTHER ORDERING OPTIONS

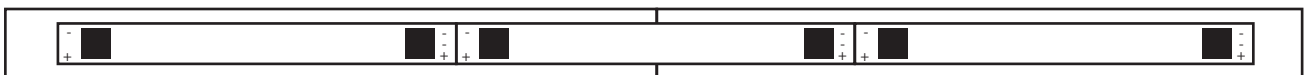
- + Aluminum fixture length may exceed standard lengths listed to the left. For example, a standard 8" light can be placed in an 11" long aluminum body to better fill space. See illustration below.



- + Aluminum can be mitered at corners, if needed. See illustration below.



- + All fixtures can be up to 12' long. Two aluminum bodies will join in the middle, with a light board spanning the seam, as well as a clip or tape on the back-side. See illustration.



Information Brochure & Gallery



go to www.linearstars.com to see more actual photos



LED LIGHTING